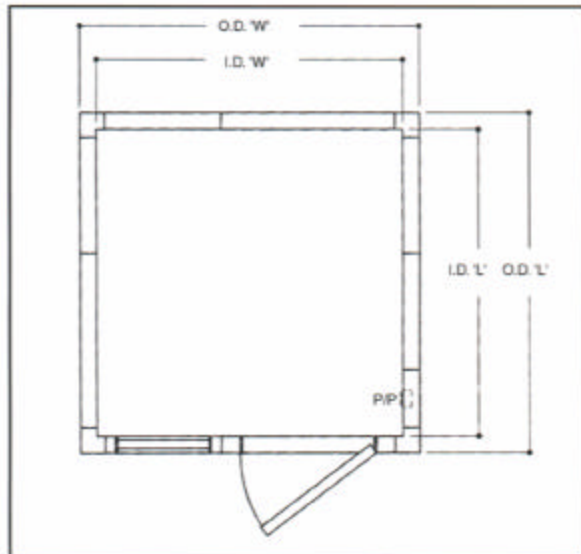




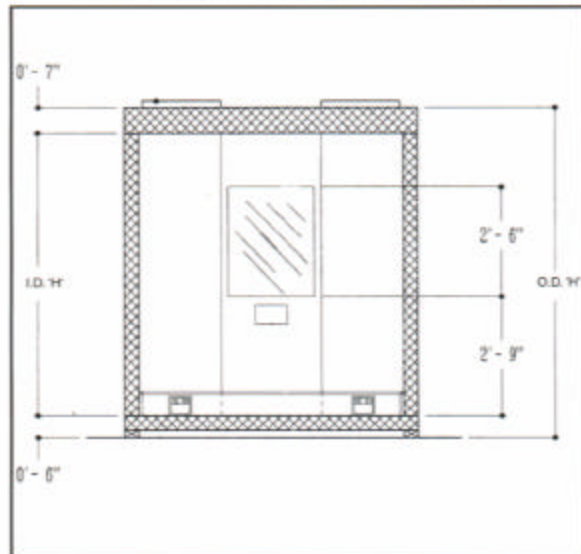
The 40a Series **Single-wall** (individual room) construction is a single or multiple occupancy room, constructed of 4 in. thick modular panels, complete with carpeted vibration isolated floor, space-saver roof mounted ventilation, recessed electrical, **Noise-Lock** doors and double glazed window, audiometric jack panels acoustically matched and shipped ready for field installation.



40a Series Audiometric Booth



40a Series Typical Plan



40a Series Typical Elevation

Model No.	Inside Dimension L x W	I.D. Height	Outside Dimension L x W	O.D. Height	Weight lbs.
40a-1	2'-08" x 3'-10"	6'-6"	3'-04" x 4'-06"	7'-7"	1,101
40a-2	3'-10" x 3'-10"		4'-06" x 4'-06"		1,364
40a-3	3'-10" x 6'-02"		4'-06" x 6'-10"		1,891
40a-4	5'-00" x 7'-04"		5'-08" x 8'-00"		2,520
40a-5	6'-02" x 6'-02"		6'-10" x 6'-10"		2,554
40a-6	6'-04" x 7'-06"		7'-00" x 8'-02"		2,986
40a-7	7'-04" x 7'-04"		8'-00" x 8'-00"		3,251
40a-8	6'-04" x 8'-08"		7'-00" x 9'-04"		3,322
40a-9	7'-04" x 8'-06"		8'-00" x 9'-02"		3,617
40a-10	7'-04" x 9'-08"		8'-00" x 10'-04"		3,982
40a-11	8'-06" x 8'-06"		9'-02" x 9'-02"		4,016
40a-12	7'-06" x 9'-10"		8'-02" x 10'-06"		4,097
40a-13	9'-08" x 9'-08"		10'-04" x 10'-04"		4,849
40a-14	8'-08" x 11'-00"		9'-04" x 11'-08"		4,940

INDUSTRIAL ACOUSTICS COMPANY
Making the World a Quieter Place